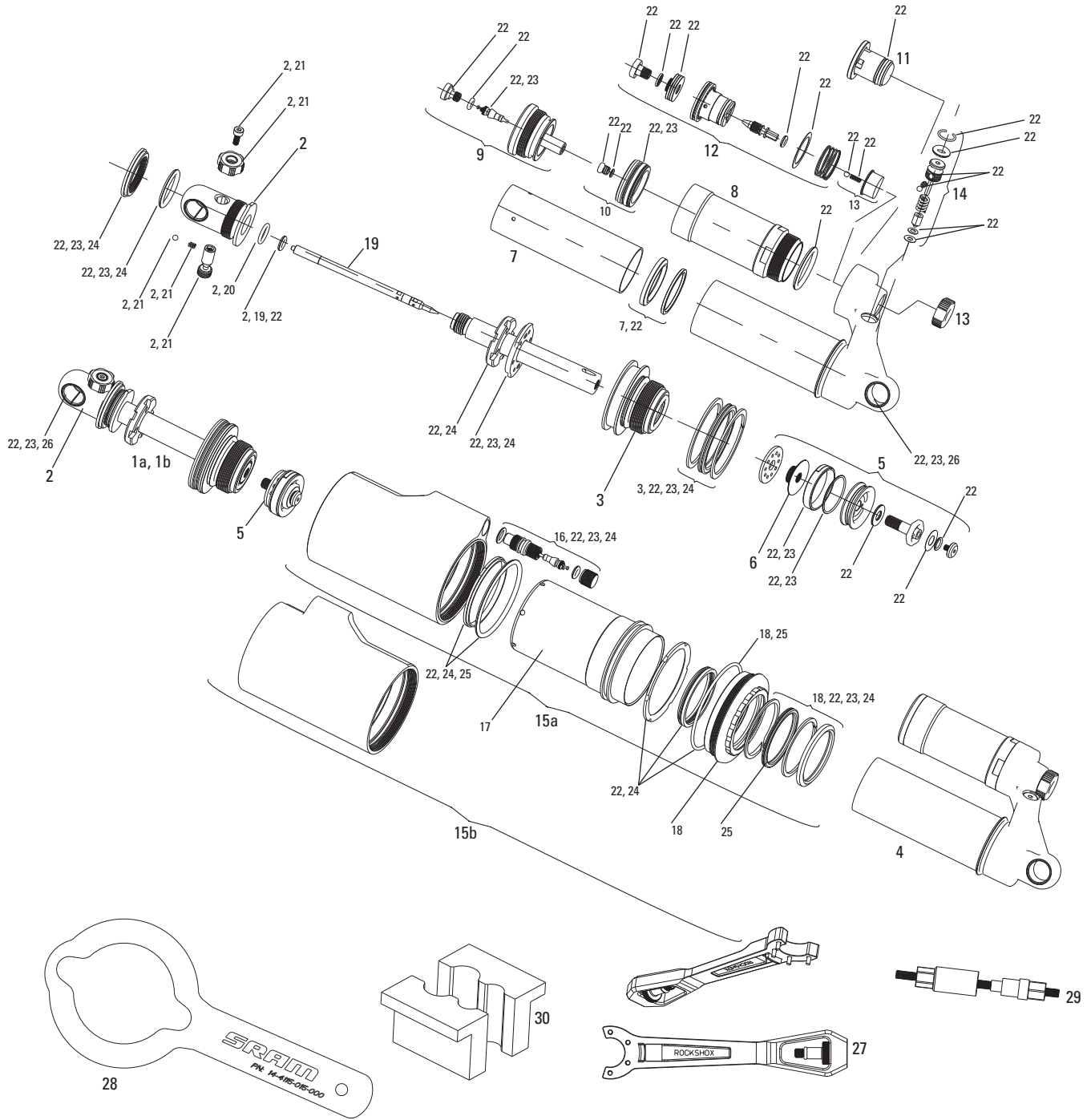


VIVID AIR (2011-2012)



Note:

1. Not all service parts visible in exploded views. Vivid Air Service Kit includes o-rings, seals, glide rings, ball bearings, and detent springs.
2. Air can kits are assembled and included all seals pictured.
3. Vivid air can wrench is required for air can removal. Vivid spanner wrench is required for reservoir removal.
4. Use '1/2"x1/2" Rear Shock Bushing/Mount Hardware Tool' to remove and install eyelet bushing and mounting hardware.
5. USE ONLY 3WT SRAM PITSTOP REAR SHOCK DAMPING FLUID. Use Parker O-Lube to lubricate o-ring seals. Use Maxima 5W-50 to lubricate air can seals.



No.	Part Number	Description
1a	11.4115.088.040	Eyelet/Shaft/Sealhead Assy, 2011 Vivid Air R2C, 90 degree rebound, 200x57 Low
1a	11.4115.088.050	Eyelet/Shaft/Sealhead Assy, 2011 Vivid Air R2C, 90 degree rebound, 200x57 Mid
1a	11.4115.088.060	Eyelet/Shaft/Sealhead Assy, 2011 Vivid Air R2C, 90 degree rebound, 200x57 High
1a	11.4115.088.070	Eyelet/Shaft/Sealhead Assy, 2011 Vivid Air R2C, 90 degree rebound, 216x63 Low
1a	11.4115.088.080	Eyelet/Shaft/Sealhead Assy, 2011 Vivid Air R2C, 90 degree rebound, 216x63 Mid
1a	11.4115.088.090	Eyelet/Shaft/Sealhead Assy, 2011 Vivid Air R2C, 90 degree rebound, 216x63 High
1a	11.4115.088.100	Eyelet/Shaft/Sealhead Assy, 2011 Vivid Air R2C, 90 degree rebound, 222x70 Low
1a	11.4115.088.110	Eyelet/Shaft/Sealhead Assy, 2011 Vivid Air R2C, 90 degree rebound, 222x70 Mid
1a	11.4115.088.120	Eyelet/Shaft/Sealhead Assy, 2011 Vivid Air R2C, 90 degree rebound, 222x70 High
1a	11.4115.088.130	Eyelet/Shaft/Sealhead Assy, 2011 Vivid Air R2C, 90 degree rebound, 229x70 Low
1a	11.4115.088.140	Eyelet/Shaft/Sealhead Assy, 2011 Vivid Air R2C, 90 degree rebound, 229x70 Mid
1a	11.4115.088.150	Eyelet/Shaft/Sealhead Assy, 2011 Vivid Air R2C, 90 degree rebound, 229x70 High
1a	11.4115.088.160	Eyelet/Shaft/Sealhead Assy, 2011 Vivid Air R2C, 90 degree rebound, 240x76 Low
1a	11.4115.088.170	Eyelet/Shaft/Sealhead Assy, 2011 Vivid Air R2C, 90 degree rebound, 240x76 Mid
1a	11.4115.088.180	Eyelet/Shaft/Sealhead Assy, 2011 Vivid Air R2C, 90 degree rebound, 240x76 High
1b	11.4115.088.220	Eyelet/Shaft/Sealhead Assy, 2011 Vivid Air R2, 90 degree rebound, 200x57 Low
1b	11.4115.088.230	Eyelet/Shaft/Sealhead Assy, 2011 Vivid Air R2, 90 degree rebound, 200x57 Mid
1b	11.4115.088.240	Eyelet/Shaft/Sealhead Assy, 2011 Vivid Air R2, 90 degree rebound, 200x57 High
1b	11.4115.088.250	Eyelet/Shaft/Sealhead Assy, 2011 Vivid Air R2, 90 degree rebound, 216x63 Low
1b	11.4115.088.260	Eyelet/Shaft/Sealhead Assy, 2011 Vivid Air R2, 90 degree rebound, 216x63 Mid
1b	11.4115.088.270	Eyelet/Shaft/Sealhead Assy, 2011 Vivid Air R2, 90 degree rebound, 216x63 High
1b	11.4115.088.280	Eyelet/Shaft/Sealhead Assy, 2011 Vivid Air R2, 90 degree rebound, 222x70 Low
1b	11.4115.088.290	Eyelet/Shaft/Sealhead Assy, 2011 Vivid Air R2, 90 degree rebound, 222x70 Mid
1b	11.4115.088.300	Eyelet/Shaft/Sealhead Assy, 2011 Vivid Air R2, 90 degree rebound, 222x70 High
1b	11.4115.088.310	Eyelet/Shaft/Sealhead Assy, 2011 Vivid Air R2, 90 degree rebound, 229x70 Low
1b	11.4115.088.320	Eyelet/Shaft/Sealhead Assy, 2011 Vivid Air R2, 90 degree rebound, 229x70 Mid
1b	11.4115.088.330	Eyelet/Shaft/Sealhead Assy, 2011 Vivid Air R2, 90 degree rebound, 229x70 High
1b	11.4115.088.340	Eyelet/Shaft/Sealhead Assy, 2011 Vivid Air R2, 90 degree rebound, 240x76 Low
1b	11.4115.088.350	Eyelet/Shaft/Sealhead Assy, 2011 Vivid Air R2, 90 degree rebound, 240x76 Mid
1b	11.4115.088.360	Eyelet/Shaft/Sealhead Assy, 2011 Vivid Air R2, 90 degree rebound, 240x76 High
2	11.4115.089.010	Shaft Eyelet/Rebound Adjust Knob Assembly (Standard) 2011 Vivid Air
2	11.4115.089.020	Shaft Eyelet/Rebound Adjust Knob Assembly (203x57) 2011 Vivid Air
2	11.4115.089.030	Shaft Eyelet/Rebound Adjust Knob Assembly (229x70) 2011 Vivid Air
4	11.4115.079.090	Damper Body/Reservoir Assy, 200x57/203x57 (assembled) 2011 Vivid Air R2C
4	11.4115.079.100	Damper Body/Reservoir Assy, 222x70/229x70 (assembled) 2011 Vivid Air R2C
4	11.4115.079.110	Damper Body/Reservoir Assy, 240x76 (assembled) 2011 Vivid Air R2C
4	11.4115.079.130	Damper Body/Reservoir Assy, 216x63 (assembled) 2011 Vivid Air R2C
4	11.4115.079.140	Damper Body/Reservoir Assy, 200x57/203x57 (assembled) 2011 Vivid Air R2
4	11.4115.079.150	Damper Body/Reservoir Assy, 222x70/229x70 (assembled) 2011 Vivid Air R2
4	11.4115.079.160	Damper Body/Reservoir Assy, 240x76 (assembled) 2011 Vivid Air R2
4	11.4115.079.180	Damper Body/Reservoir Assy, 216x63 (assembled) 2011 Vivid Air R2
5	11.4115.080.070	Main Piston Assy, Low, 2011 Vivid Coil R2C (267x89), 2011 Vivid Air R2C
5	11.4115.080.080	Main Piston Assy, Mid, 2011 Vivid Air R2C
5	11.4115.080.090	Main Piston Assy, High, 2011 Vivid Air R2C
5	11.4115.080.100	Main Piston Assy, Low, 2011 Vivid Air R2
5	11.4115.080.110	Main Piston Assy, Mid, 2011 Vivid Air R2
5	11.4115.080.120	Main Piston Assy, High, 2011 Vivid Air R2
6	11.4115.081.070	Piston Shim Stack, Low, 2011 Vivid R2C (267x89), 2011 Vivid Air R2C
6	11.4115.081.080	Piston Shim Stack, Mid, 2011 Vivid Air R2C
6	11.4115.081.090	Piston Shim Stack, High, 2011 Vivid Air R2C
6	11.4115.081.100	Piston Shim Stack, Low, 2011 Vivid Air R2
6	11.4115.081.110	Piston Shim Stack, Mid, 2011 Vivid Air R2
6	11.4115.081.120	Piston Shim Stack, High, 2011 Vivid Air R2
7	11.4115.091.010	Inner Tube/Rings, Shock Body (200mm/203mm) - 2009-2011 Vivid/Vivid Air
7	11.4115.091.020	Inner Tube/Rings, Shock Body (216mm/222mm/229mm) - 2009-2011 Vivid/Vivid Air
7	11.4115.091.030	Inner Tube/Rings, Shock Body (240mm) - 2009-2011 Vivid/Vivid Air



No.	Part Number	Description
8	11.4115.021.020	Reservoir Can, Qty 1 (200/203/216/222/229/240) 2011 Vivid/Vivid Air
9	11.4115.022.000	Reservoir Sealhead Assy (assembled) - 2009-2011 Vivid/Vivid Air
10	11.4115.082.010	Reservoir Internal Floating Piston Assy, 2009-2011 Vivid/Vivid Air
11	11.4115.024.000	Compression Conversion Cover (no compression adjust) - 2009-2011 Vivid/Vivid Air 4.1/R2
12	11.4115.025.000	Compression Adjust Piston Assy (assembled) - 2009-2011 Vivid/Vivid Air 5.1 /R2C
13	11.4115.026.000	Compression Adjuster Knob Assy - 2009-2011 Vivid/Vivid Air 5.1 /R2C
14	11.4115.090.010	End Stroke Rebound Adjuster Assy - 2011 Vivid/Vivid Air (not compatible with 2009-2010)
15	11.4115.099.010	Air Can Assembly Standard, 200x51/200x57 - 2011 Vivid Air
15	11.4115.099.020	Air Can Assembly Standard, 216x60/216x63 - 2011 Vivid Air
15	11.4115.099.030	Air Can Assembly Standard, 222x70/229x70 - 2011 Vivid Air
15	11.4115.099.040	Air Can Assembly Standard, 240x76 - 2011 Vivid Air
ns	11.4115.099.050	Air Can Assembly Optional, 200x51/200x57 - 2011 Vivid Air
ns	11.4115.099.060	Air Can Assembly Optional, 216x60/216x63 - 2011 Vivid Air
ns	11.4115.099.070	Air Can Assembly Optional, 222x70/229x70 - 2011 Vivid Air
ns	11.4115.099.080	Air Can Assembly Optional, 240x76 - 2011 Vivid Air
16	11.4115.101.010	Schrader Valve Assembly (Air Can) - 2011 Vivid Air
17	11.4115.102.010	Sleeve Kit, Air Can, 200x51/200x57 - 2011 Vivid Air
17	11.4115.102.020	Sleeve Kit, Air Can, 216x60/216x63 - 2011 Vivid Air
17	11.4115.102.030	Sleeve Kit, Air Can, 222x70/229x70 - 2011 Vivid Air
17	11.4115.102.040	Sleeve Kit, Air Can, 240x76 - 2011 Vivid Air
18	11.4115.103.010	Collar Kit, Air Can - 2011 Vivid Air
19	11.4115.083.010	Hot Rod Adjuster Needle & O-Ring (200x51, 200x57, 203x57) - 2011 Vivid/Vivid Air
19	11.4115.083.020	Hot Rod Adjuster Needle & O-Ring (216x60, 216x63) - 2011 Vivid/Vivid Air
19	11.4115.083.030	Hot Rod Adjuster Needle & O-Ring (222x70, 229x70) - 2011 Vivid/Vivid Air
19	11.4115.083.040	Hot Rod Adjuster Needle & O-Ring (240x76) - 2011 Vivid/Vivid Air
21	11.4115.085.010	Rebound Adjuster Knob - 2011 Vivid/Vivid Air (not compatible 2009-2010)
22	11.4115.092.010	Service Kit Full - 2011 Vivid Air
23	11.4115.100.010	Service Kit Basic - 2011 Vivid Air
24	11.4115.093.010	Service Kit, Air Can - 2011 Vivid Air
25	11.4115.013.000	Rear Shock Eyelet Bushing 1/2"x1/2" Qty 2
26	11.4115.104.010	Spanner Wrench/Air Valve/Torx Tool - Vivid/Vivid Air
27	11.4115.104.020	Wrench, Air Can - Vivid Air
28	11.4115.043.000	1/2"x1/2" Rear Shock Bushing Tool (Eyelet/SealHead)
29	11.4115.044.000	Vivid/Monarch Vise Blocks
ns	11.4308.297.000	High-Pressure Fork/Shock Pump (300 psi Max)
ns	11.4308.300.000	Rockshox Schrader Valve Removal Tool
ns	11.4115.087.020	Decal Kit - 2011 Vivid Air
ns	11.4115.115.010	Decal, Rear Shock, Tune (ML) - 2011 Vivid/Monarch Qty 10
ns	11.4115.115.020	Decal, Rear Shock, Tune (MM) - 2011 Vivid/Monarch Qty 10
ns	11.4115.115.030	Decal, Rear Shock, Tune (MH) - 2011 Vivid/Monarch Qty 10
ns	11.4115.115.040	Decal, Rear Shock, Tune (ML3) - 2011 Vivid/Monarch Qty 10
ns	11.4115.115.050	Decal, Rear Shock, Tune (MH3) - 2011 Vivid/Monarch Qty 10
ns	11.4115.115.060	Decal, Rear Shock, Tune (LL3) - 2011 Vivid/Monarch Qty 10
ns	11.4115.115.070	Decal, Rear Shock, Tune (LL) - 2011 Vivid/Monarch Qty 10
ns	11.4115.115.080	Decal, Rear Shock, Tune (LM) - 2011 Vivid/Monarch Qty 10
ns	11.4115.115.090	Decal, Rear Shock, Tune (LH) - 2011 Vivid/Monarch Qty 10
ns	11.4115.115.100	Decal, Rear Shock, Tune (LH3) - 2011 Vivid/Monarch Qty 10
ns	11.4115.115.110	Decal, Rear Shock, Tune (HL) - 2011 Vivid/Monarch Qty 10
ns	11.4115.115.120	Decal, Rear Shock, Tune (HL3) - 2011 Vivid/Monarch Qty 10
ns	11.4115.115.130	Decal, Rear Shock, Tune (HM) - 2011 Vivid/Monarch Qty 10
ns	11.4115.115.140	Decal, Rear Shock, Tune (HH) - 2011 Vivid/Monarch Qty 10
ns	11.4115.115.150	Decal, Rear Shock, Tune (HH3) - 2011 Vivid/Monarch Qty 10
ns	11.4115.094.010	Lubricant, Rear Shock Air Can, Maxima 15W 50, 1 Liter Bottle
ns	11.4115.094.020	Lubricant, Rear Shock Seals, Parker O-Lube, 2g tube
ns	11.4315.004.020	RockShox Rear Suspension Damping Fluid 3wt 16oz bottle
ns	11.4315.021.050	RockShox Rear Suspension Damping Fluid 3wt 120ml bottle