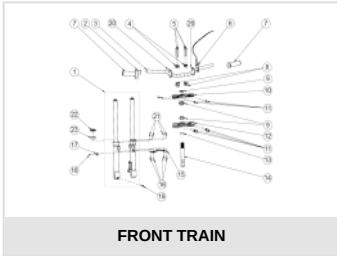


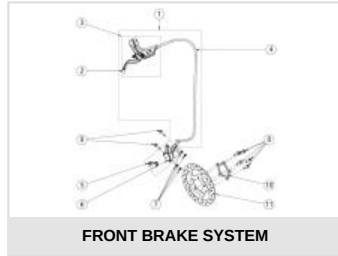


KIDS TRIAL ONE KIDS TRIAL ONE 2021

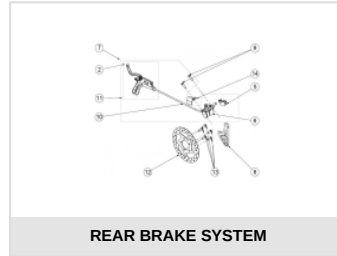
Exploded



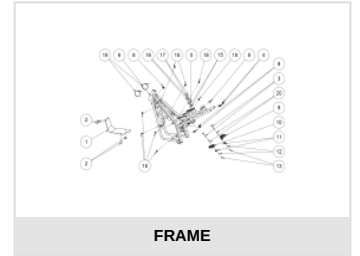
FRONT TRAIN



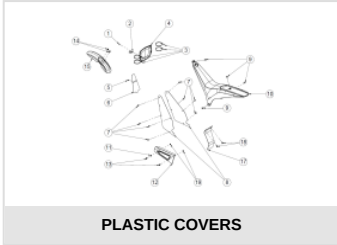
FRONT BRAKE SYSTEM



REAR BRAKE SYSTEM



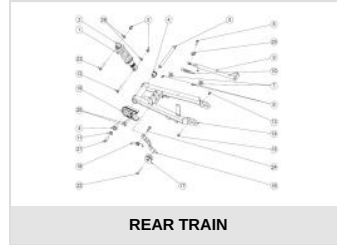
FRAME



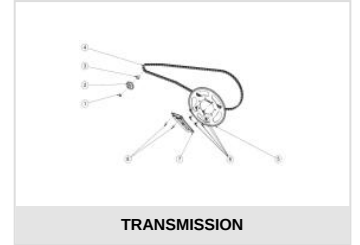
PLASTIC COVERS



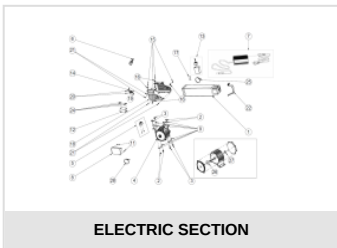
STICKERS



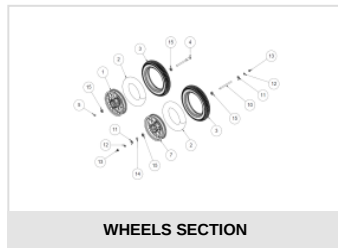
REAR TRAIN



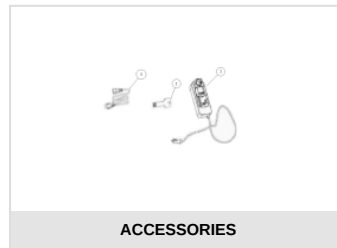
TRANSMISSION



ELECTRIC SECTION

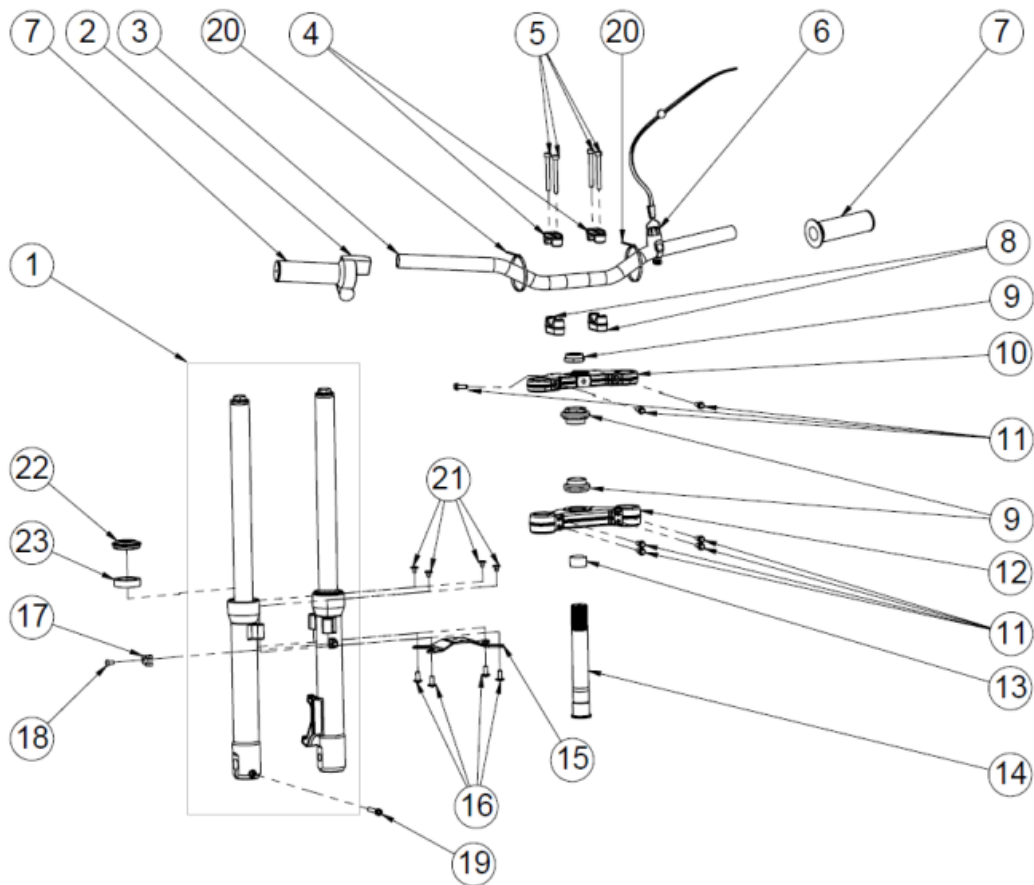


WHEELS SECTION



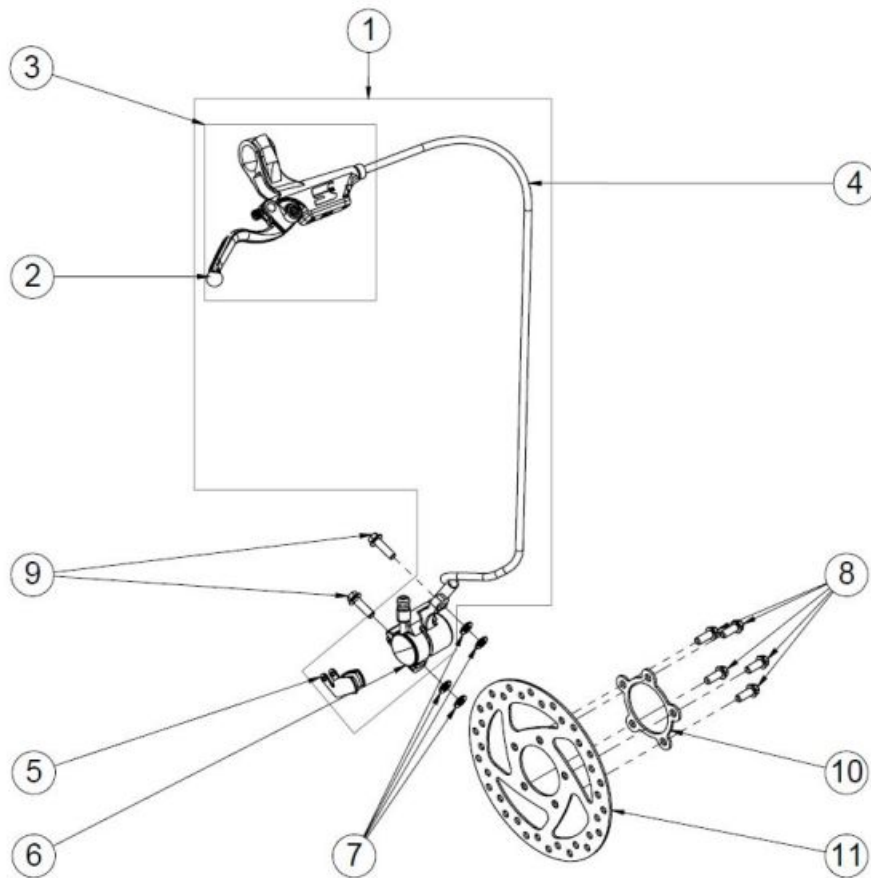
ACCESSORIES

FRONT TRAIN

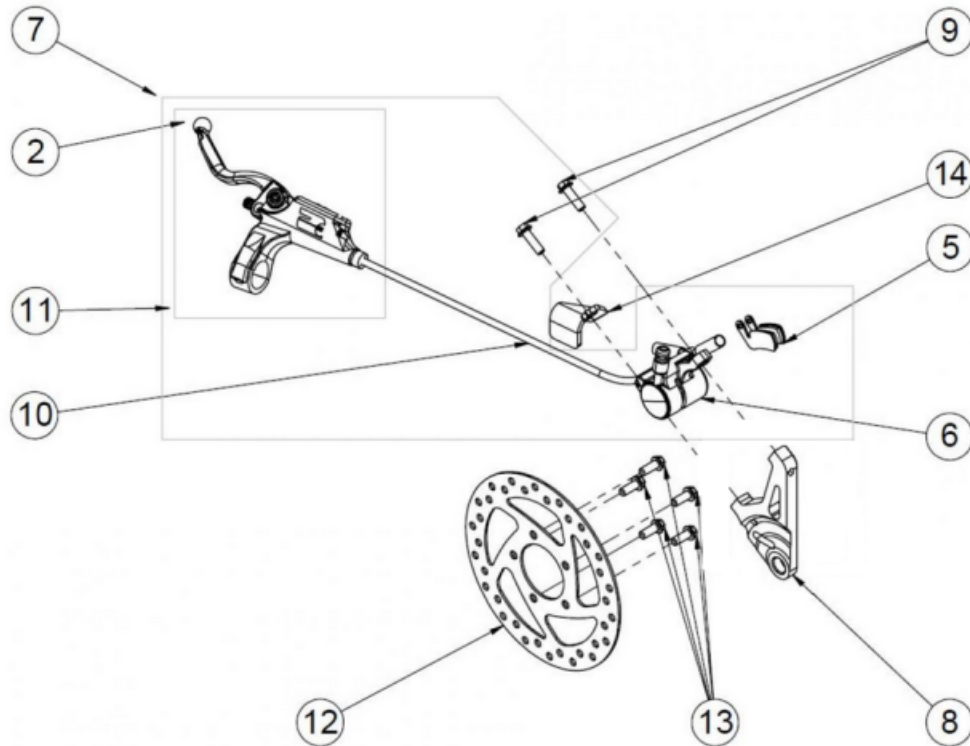


- | | |
|----|---|
| 1 | <ul style="list-style-type: none"> SET SUSPENSION KIDS ONE
BT20000CT-CNJ-1 (u. 2) |
| 2 | <ul style="list-style-type: none"> THROTTLE ELECTRIC NIVEL CHARGE KIDS 2019
EE40030TT-CND-2 (u. 1) |
| 3 | <ul style="list-style-type: none"> HANDLEBAR KIDS
BE25000TT-CNC-1 (u. 1) |
| 4 | <ul style="list-style-type: none"> UPPER HANDLEBAR CLAMP KIDS
BE25700TT-CNC-1 (u. 2) |
| 5 | <ul style="list-style-type: none"> ALLEN 6x55 DIN 912 12.9
T0306055 (u. 4) |
| 6 | <ul style="list-style-type: none"> SWITCH SECURITY KIDS
EE85500TT-CNC-1 (u. 1) |
| 7 | <ul style="list-style-type: none"> KIDS GRIPS LEFT-RIGHT
BE26100TT-CNC-1 (u. 1) |
| 8 | <ul style="list-style-type: none"> LOWER HANDLEBAR CLAMP KIDS
BE25750TT-CNC-1 (u. 2) |
| 9 | <ul style="list-style-type: none"> KIT BEARING S STEERING VP-H692W BLACK
BE21310TT-CKK-1 (u. 3) |
| 10 | <ul style="list-style-type: none"> UPPER FRONT FORK CLAMP KIDS
BE22000TT-CNC-1 (u. 1) |
| 11 | <ul style="list-style-type: none"> 6x16 HEX HEAD WASHER DIN 6921 GEOMET 10.9
T0206016 (u. 6) |
| 12 | <ul style="list-style-type: none"> LOWER FRONT FORK CLAMP KIDS
BE21000TT-CNC-1 (u. 1) |
| 13 | <ul style="list-style-type: none"> RADIAL ADJUSTMENT BUSHING KIDS
BE24011TT-CNC-1 (u. 1) |
| 14 | <ul style="list-style-type: none"> STEERING AXLE KIDS
BE24000TT-CNC-1 (u. 1) |

15	<ul style="list-style-type: none">● FRONT FENDER SUPPORT TRIAL KIDS BT91010TT-CNK-1 (u. 1)
16	<ul style="list-style-type: none">● BUTTONHEAD ALLEN BOLT 6x12 ISO 7380-1 ZINC 10.9 T0506012 (u. 4)
17	<ul style="list-style-type: none">● WIRE CLAMP D5MM KIDS BE40050TT-CNC-1 (u. 1)
18	<ul style="list-style-type: none">● ULS BOLT 5x10 ISO 7380-1 ZINC 10.9 T0505010 (u. 1)
19	<ul style="list-style-type: none">● ALLEN BOLT 6X35 DIN 912 ZINC 12.9 T0306035 (u. 1)
20	<ul style="list-style-type: none">● NILON CLAMP 4,8x20 BE25634009 (u. 2)
21	<ul style="list-style-type: none">● TRIAL KIDS FRONT FENDER SUPPORT PLASTIC CAP BT91011TT-CNK-1 (u. 4)
22	<ul style="list-style-type: none">● KIDS DUSTKEEPER FRONT FORK BE20130TT-CNC-1 (u. 2)
23	<ul style="list-style-type: none">● KIDS SEAL FRONT FORK BE20140TT-CNC-1 (u. 2)

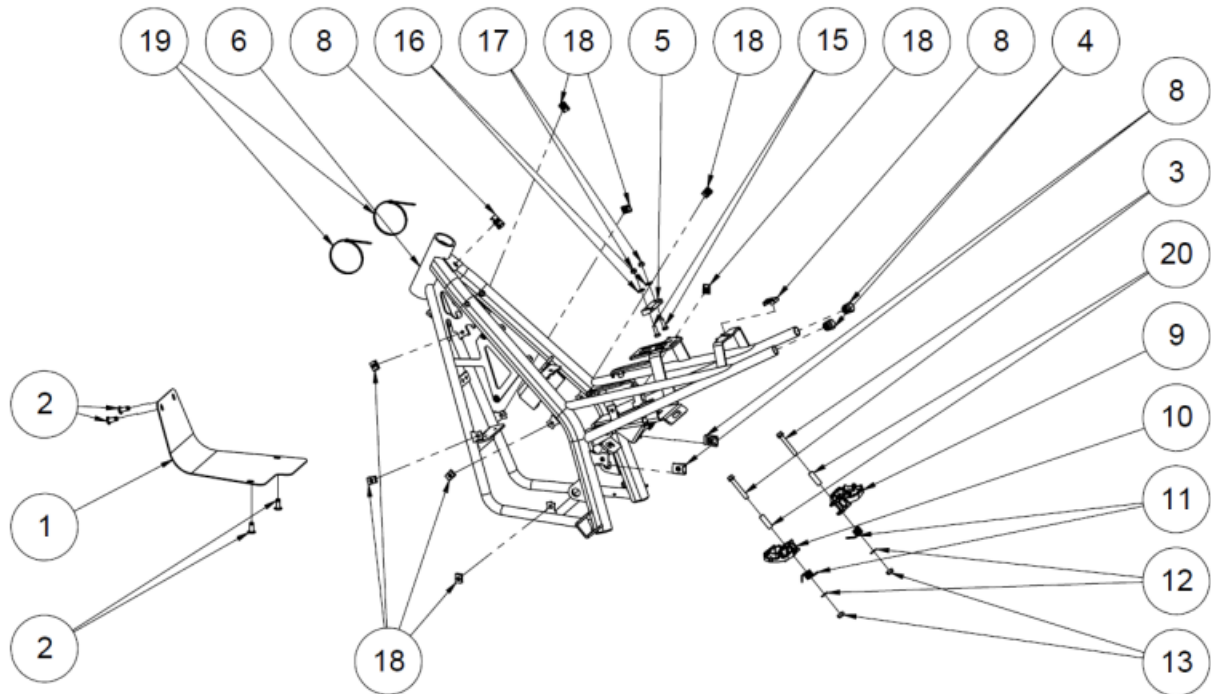
FRONT BRAKE SYSTEM


- | | |
|----|---|
| 1 | <ul style="list-style-type: none"> FRONT BRAKE SET KIDS
BE60000CT-CNC-2 (u. 1) |
| 2 | <ul style="list-style-type: none"> BRAKE LEVER KIDS
BE61300TT-CNC-2 (u. 1) |
| 3 | <ul style="list-style-type: none"> FRONT BRAKE PUMP KIDS
BE61000TT-CNC-1 (u. 1) |
| 4 | <ul style="list-style-type: none"> FRONT BRAKE HOSE KIDS
BE61100TT-CNC-1 (u. 1) |
| 5 | <ul style="list-style-type: none"> SET BRAKE PADS KIDS
BE62500TT-CNC-1 (u. 1) |
| 6 | <ul style="list-style-type: none"> KIT BRAKE CALIPER KIDS
BE62000TT-CNC-1 (u. 1) |
| 7 | <ul style="list-style-type: none"> WASHER 6x12x1.5 DIN 125 ZINC
T4006012 (u. 4) |
| 8 | <ul style="list-style-type: none"> 6x16 HEX HEAD WASHER DIN 6921 GEOMET 10.9
T0206016 (u. 5) |
| 9 | <ul style="list-style-type: none"> BOLT 6x20 DIN 6921 GEOMET 10.9
T0206020 (u. 2) |
| 10 | <ul style="list-style-type: none"> FRONT BRAKE DISC SPACER KIDS
BE52030TT-CNC-1 (u. 1) |
| 11 | <ul style="list-style-type: none"> BRAKE DISC D.160 KIDS
BE57000TT-CKK-1 (u. 1) |

REAR BRAKE SYSTEM


2	<ul style="list-style-type: none"> ● BRAKE LEVER KIDS BE61300TT-CNC-2 (u. 1)
5	<ul style="list-style-type: none"> ● SET BRAKE PADS KIDS BE62500TT-CNC-1 (u. 1)
6	<ul style="list-style-type: none"> ● KIT BRAKE CALIPER KIDS BE62000TT-CNC-1 (u. 1)
7	<ul style="list-style-type: none"> ● REAR BRAKE SET KIDS BE65000CT-CNC-2 (u. 1)
8	<ul style="list-style-type: none"> ● HOLDER REAR BRAKE CALIPER KIDS BE67100TT-CNC-2 (u. 1)
9	<ul style="list-style-type: none"> ● BOLT 6x20 DIN 6921 GEOMET 10.9 T0206020 (u. 2)
10	<ul style="list-style-type: none"> ● REAR BRAKE HOSE KIDS BE66100TT-CNC-1 (u. 1)
11	<ul style="list-style-type: none"> ● REAR BRAKE PUMP KIDS BE61001TT-CNC-1 (u. 1)
12	<ul style="list-style-type: none"> ● BRAKE DISC D.160 KIDS BE57000TT-CKK-1 (u. 1)
13	<ul style="list-style-type: none"> ● 6x16 HEX HEAD WASHER DIN 6921 GEOMET 10.9 T0206016 (u. 5)
14	<ul style="list-style-type: none"> ● REINFORCEMENT REAR CALIPER BRACKET KIDS 2019 BE67101TT-CKJ-2 (u. 1)

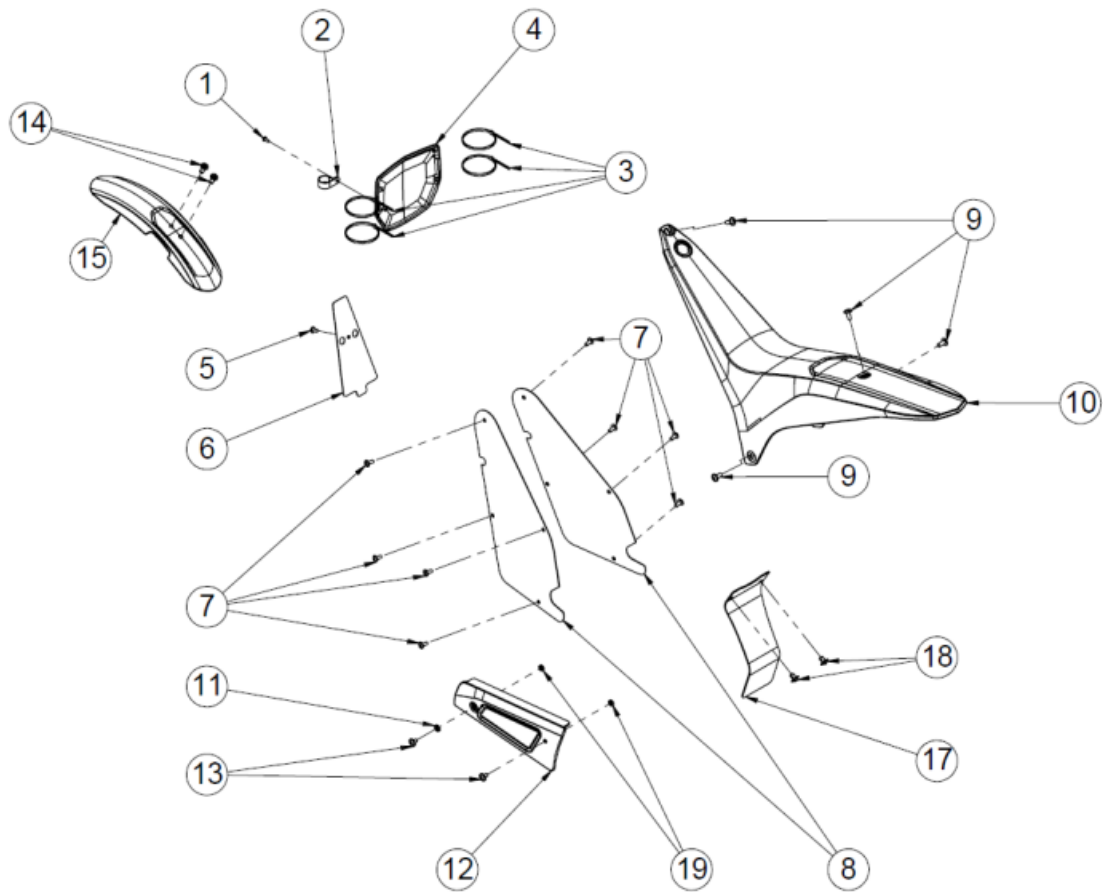
FRAME



1	<ul style="list-style-type: none"> SKID PLATE KIDS ONE BE11500TT-CND-1 (u. 1)
2	<ul style="list-style-type: none"> RIVET 6X12 T4506012 (u. 4)
3	<ul style="list-style-type: none"> HEAD SCREW 6x40 GEOMET 10.9 T0206040 (u. 2)
4	<ul style="list-style-type: none"> FRAME TAIL PLUG D-16 KIDS BE12050TT-CKK-1 (u. 2)
5	<ul style="list-style-type: none"> HOLDER BATTERY TO FRAME KIDS BE10925TT-CNC-1 (u. 1)
6	<ul style="list-style-type: none"> BLUE FRAME KID ONE BE10000CT-CND-1 (u. 1)
8	<ul style="list-style-type: none"> NUT 6MM T2606000 (u. 4)
9	<ul style="list-style-type: none"> FOOTREST RIGHT KIDS BE14005TT-CNC-1 (u. 1)
10	<ul style="list-style-type: none"> FOOTREST LEFT KIDS BE14010TT-CNC-1 (u. 1)
11	<ul style="list-style-type: none"> IRON FOOTREST SPRING KIDS BE14030TT-CKK-2 (u. 2)
12	<ul style="list-style-type: none"> WASHER 6x12x1.5 DIN 125 ZINC T4006012 (u. 2)
13	<ul style="list-style-type: none"> NYLOCK NUT 6mm DIN 985 ZN CR3 6 T2106001 (u. 2)
15	<ul style="list-style-type: none"> SCREW BOLT EXAGONAL M5x14 DIN 933 ZINC. 8.8 T0105014 (u. 2)
16	<ul style="list-style-type: none"> WASHER 5x12x1.5 DIN 125A ZINC T4005012 (u. 2)
17	<ul style="list-style-type: none"> SELFLOCKING NUT M5 DIN-985 ZINC 8 T2105000 (u. 2)
18	<ul style="list-style-type: none"> NUT TRT M5 GEOMET T810599990001 (u. 8)
19	<ul style="list-style-type: none"> UNEX 3.6X200 CLAMP NYLON BE25634012 (u. 2)

20

- FOOTREST BUSHING KIDS
BE14025TT-CKK-1 (u. 2)

PLASTIC COVERS


1 ● Screw for thermoplastic with pressed washer, 5x14 black zinc plated, POZI recess
BE250420063 (u. 1)

2 ● FRONT BRAKE HOSE CLIP KIDS
BE61101TT-CNC-1 (u. 1)

3 ● NILON CLAMP 4,8x20
BE25634009 (u. 4)

4 ● BLACK FRONT NUMBER PLATE TRIAL KIDS
BT90500TT-CNK-1 (u. 1)

5 ● RIVET 4.8X10 DIN 7337 BLACK
T4504810 (u. 1)

6 ● STICKER ENGINE COVER KIDS ONE
BE95300TT-CND-1 (u. 1)

7 ● ULS 5x12 ISO 7380-2 10.9 NEGRO
T0555012N (u. 8)

8 ● PLASTIC COVER ENGINE KIDS ONE
BE95295TT-CND-1 (u. 2)

9 ● Buttonhead Allen Washer 6x14 SO 7380-2 ZINC
T0556014 (u. 4)

10 ● BLACK REAR FENDER TRIAL KIDS
BT93500TT-CNK-1 (u. 1)

11 ● WASHER 6x12x1.5 DIN 125 ZINC
T4006012 (u. 1)

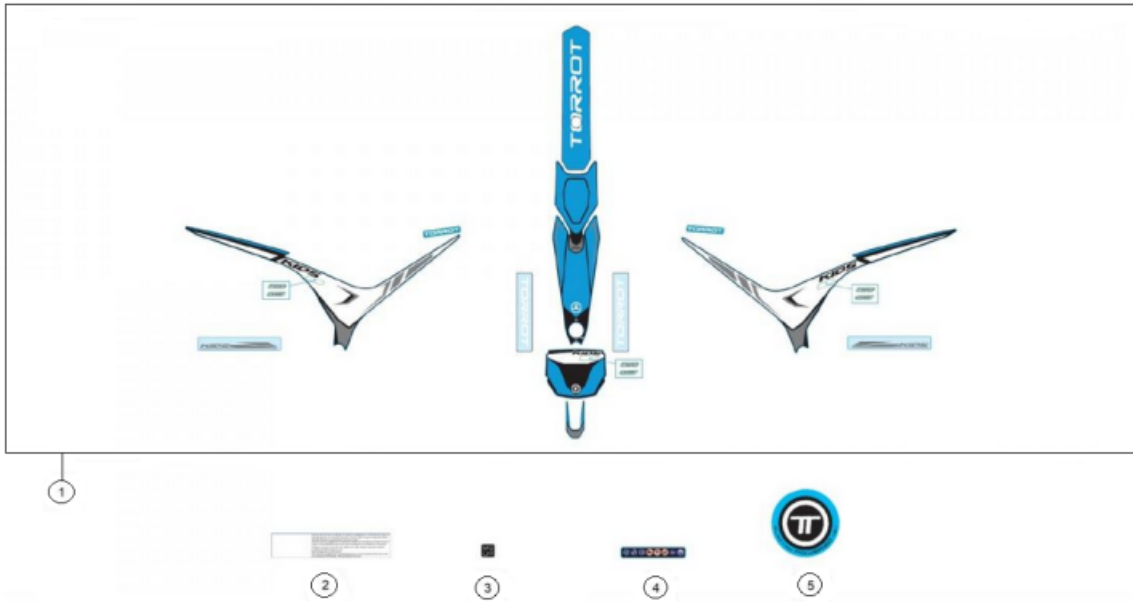
12 ● CHAIN PROTECTOR KIDS
BE44520TT-CNC-1 (u. 1)

13 ● 6X10 ULS BOLT WITH WASHER ISO 7380-2 ZINC 12.9
T0556010 (u. 2)

14 ● RIVET 6X12
T4506012 (u. 2)

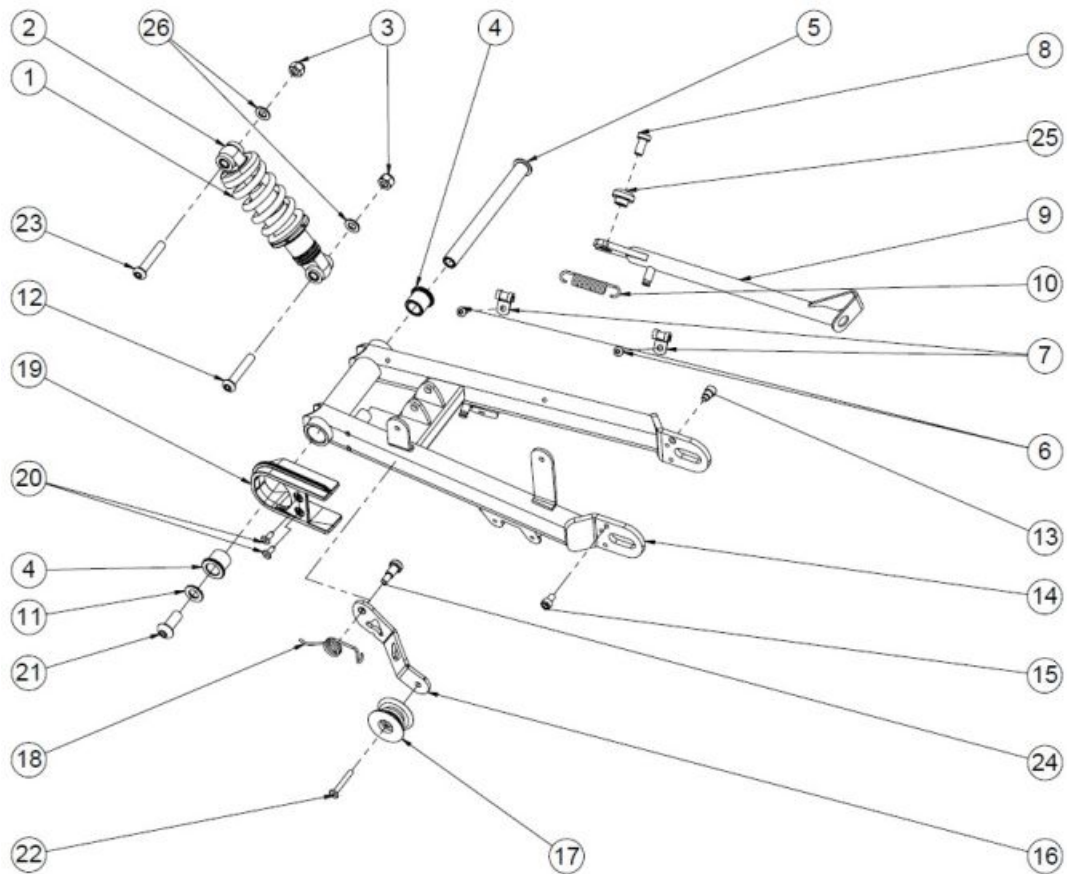
15	<ul style="list-style-type: none">● BLACK FRONT FERNDER TRIAL KIDS BT91000TT-CNK-1 (u. 1)
17	<ul style="list-style-type: none">● REAR ENGINE PROTECTOR KIDS ONE 2020 BE79555TT-CNL-1 (u. 1)
18	<ul style="list-style-type: none">● SCREW RVT BK PTHK 2.0-8.0mm BE79556TT-CNC-1 (u. 3)
19	<ul style="list-style-type: none">● PLASTIC CHAIN PROTECTOR SPACER KIDS BE44521TT-CNC-1 (u. 2)

STICKERS



1	<ul style="list-style-type: none"> ● SET STICKERS TRIAL KIDS BT95000CT-CNK-1 (u. 1)
2	<ul style="list-style-type: none"> ● STICKER NO HOMOLOGATED KIDS BE96055TT-CNC-1 (u. 1)
3	<ul style="list-style-type: none"> ● STICKER ON/OFF KIDS BE95170TT-CNC-1 (u. 1)
4	<ul style="list-style-type: none"> ● STICKER SWINGARM WARNING KIDS BE95245TT-CNC-1 (u. 1)
5	<ul style="list-style-type: none"> ● RIGHT PROTECTOR STICKER KIDS BT95091TT-CKG-1 (u. 1)

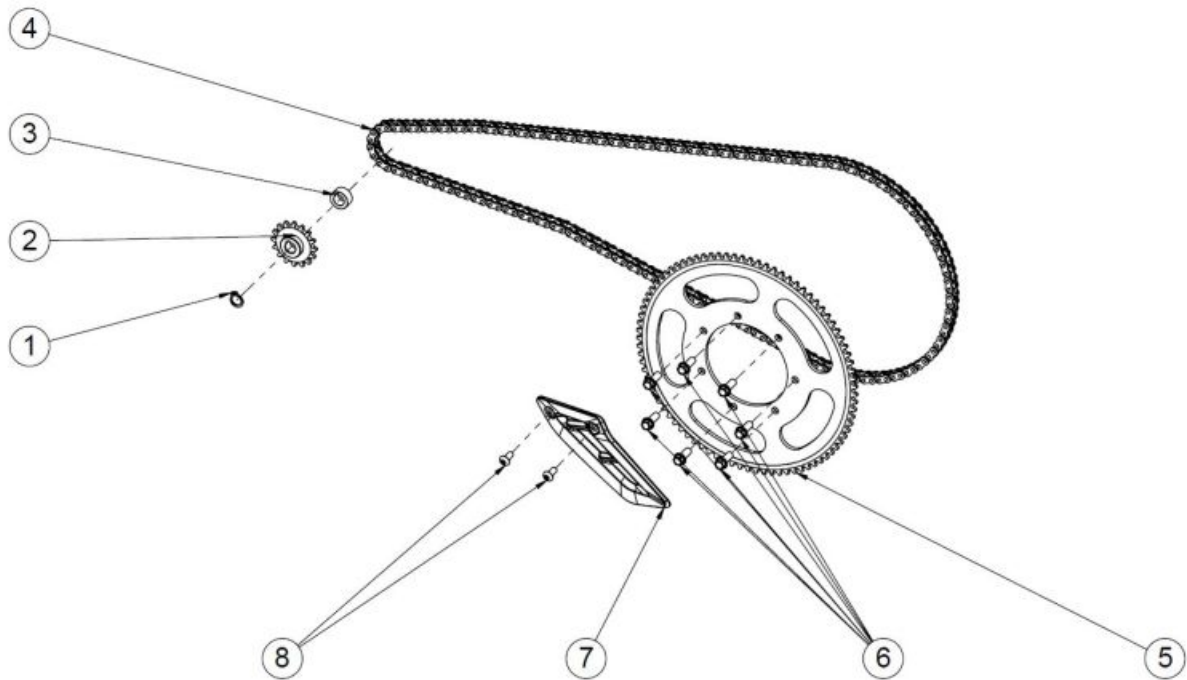
REAR TRAIN



1	<ul style="list-style-type: none"> ● SPRING KIDS 10 K=750 lb/in BE30011TT-CKJ-1 (u. 1) ● SPRING KIDS 10 K=550 lb/in BE30010TT-CKJ-1 (u. 1)
2	<ul style="list-style-type: none"> ● REAR SHOCK ABSORBER KID 10 BE30000TT-CKJ-1 (u. 1)
3	<ul style="list-style-type: none"> ● Nylock Nut 8mm DIN 982 ZINC T2108002 (u. 2)
4	<ul style="list-style-type: none"> ● SWINGARM BUSHING SELF-OIL KIDS BE40010TT-CNC-1 (u. 2)
5	<ul style="list-style-type: none"> ● SWINGARM AXLE KIDS BE44500TT-CNC-1 (u. 1)
6	<ul style="list-style-type: none"> ● ULS BOLT 5x10 ISO 7380-1 ZINC 10.9 T0505010 (u. 2)
7	<ul style="list-style-type: none"> ● WIRE CLAMP D5MM KIDS BE40050TT-CNC-1 (u. 2)
8	<ul style="list-style-type: none"> ● ALLEN UFK M8X16 STAND KIDS T0318016 (u. 1)
9	<ul style="list-style-type: none"> ● REINFORCED STAND KIDS ONE BE14200CT-CND-1 (u. 1)
10	<ul style="list-style-type: none"> ● SIDE STAND SPRING KIDS BE14250TT-CKK-1 (u. 1)
11	<ul style="list-style-type: none"> ● WASHER 10x20x2 DIN 125A ZINC T4001020 (u. 1)
12	<ul style="list-style-type: none"> ● ULS M8X45 DRACOMET ISO 7380-1 12.9 T0508045 (u. 1)
13	<ul style="list-style-type: none"> ● KIDS ANTI-ROTATION SWINGARM AXLE BE44500GG-CKJ-1 (u. 1)

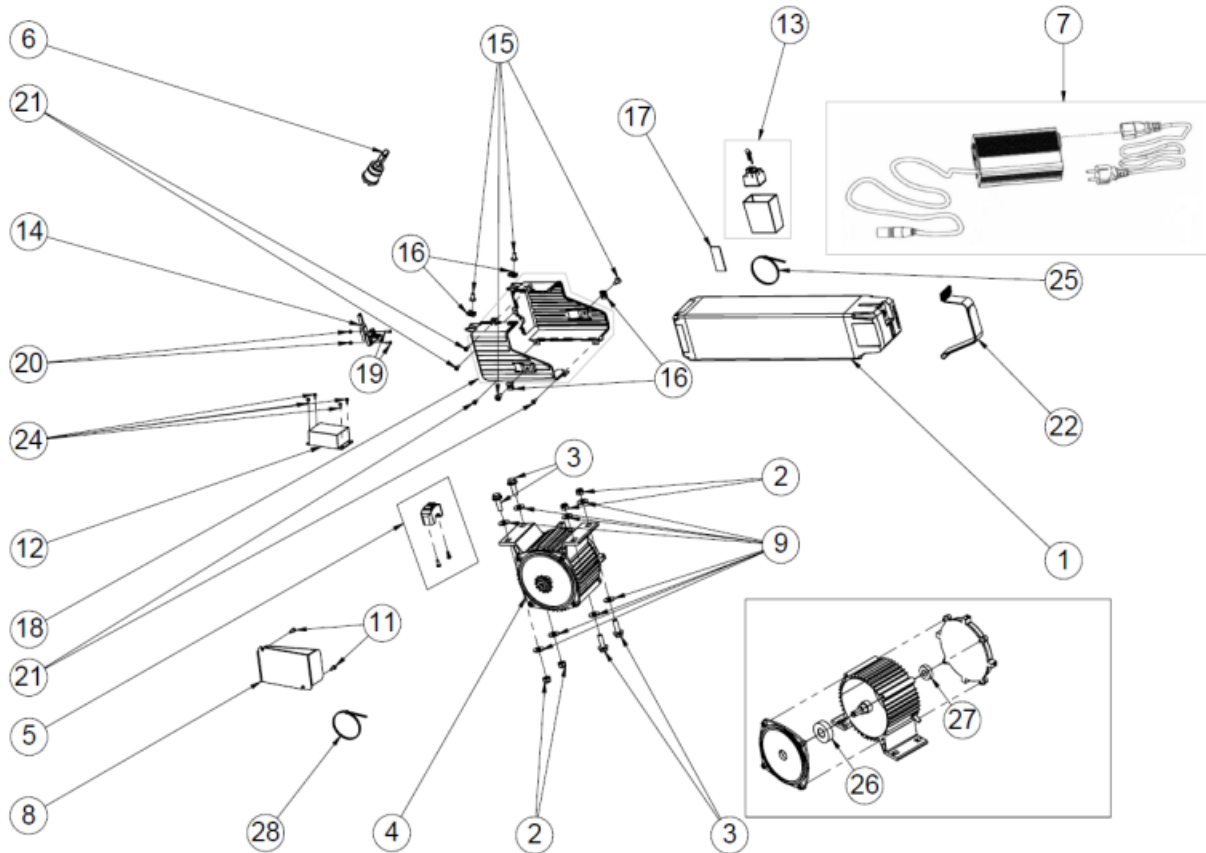
14	<ul style="list-style-type: none"> ● SWINGARM KIDS ONE BE40001CT-CND-1 (u. 1)
15	<ul style="list-style-type: none"> ● Allen Bolt 6x10 DIN 912 ZINC 12.9 T0306010 (u. 1)
16	<ul style="list-style-type: none"> ● CHAIN SUPPORT GUIDE KIDS BE42010TT-CNC-3 (u. 1)
17	<ul style="list-style-type: none"> ● CHAIN TENSIONER ROLL KIDS BE42000CT-CNC-1 (u. 1)
18	<ul style="list-style-type: none"> ● CHAIN TENSIONER SPRING KIDS BE44010TT-CNC-2 (u. 1)
19	<ul style="list-style-type: none"> ● CHAIN SLIDER KIDS BE43015TT-CNC-1 (u. 2)
20	<ul style="list-style-type: none"> ● RIVET 4.8X10 DIN 7337 BLACK T4504810 (u. 2)
21	<ul style="list-style-type: none"> ● ULS 10x20 ISO 7380-1 ZINC 10.9 T0501020 (u. 1)
22	<ul style="list-style-type: none"> ● REMACHE 4,8X35 T4504835 (u. 1)
23	<ul style="list-style-type: none"> ● ULS M8X45 10.9 T0508045/2 (u. 1)
24	<ul style="list-style-type: none"> ● D8 x 12 / M6 ALLEN CHAIN TENSOR KIDS T0308012 (u. 1)
25	<ul style="list-style-type: none"> ● BUSHING SIDE STAND KIDS BE14225TT-CNC-1 (u. 1)
26	<ul style="list-style-type: none"> ● WASHER 8x16x1,5 DIN 125A ZINC T4008016 (u. 2)

TRANSMISSION



- | | |
|---|--|
| 1 | <ul style="list-style-type: none"> CIRCLIP A 10X1 DIN471 M03314011 (u. 1) |
| 2 | <ul style="list-style-type: none"> GEAR OUTER Z13 MT42000TT-CKJ-1 (u. 1) |
| 3 | <ul style="list-style-type: none"> CAP GEAR 2 LONG ME41991TT-CKJ-1 (u. 1) |
| 4 | <ul style="list-style-type: none"> CHAIN KIDS10 219HG L = 1243,84mm 160links BE57803TT-CKJ-1 (u. 1) |
| 5 | <ul style="list-style-type: none"> REAR SPROCKET CHAIN Z85 KIDS BE57300TT-CKK-1 (u. 1) |
| 6 | <ul style="list-style-type: none"> 6x16 HEX HEAD WASHER DIN 6921 GEOMET 10.9 T0206016 (u. 7) |
| 7 | <ul style="list-style-type: none"> PROTECTOR REAR CROWN TXT PRO 2019 BT57350GG-CPR-1 (u. 1) |
| 8 | <ul style="list-style-type: none"> ULS BOLT 5x10 ISO 7380-1 ZINC 10.9 T0505010 (u. 2) |

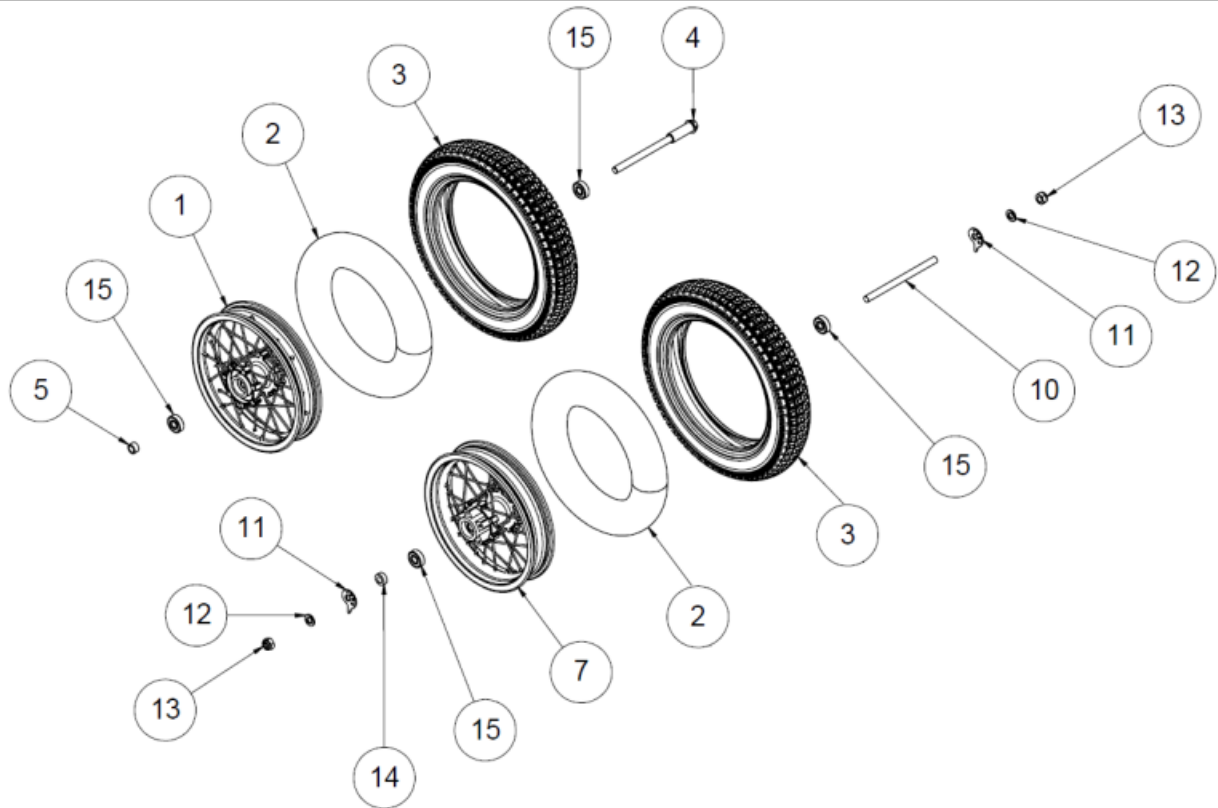
ELECTRIC SECTION



1	<ul style="list-style-type: none"> REMOVABLE BATTERY 48V 6.6Ah 13S3P KIDS ONE EE40000TT-CND-1 (u. 1)
2	<ul style="list-style-type: none"> AUTOLOCK NUT M8 DIN 985 T2108001 (u. 4)
3	<ul style="list-style-type: none"> SCREW SPECIAL 8X25 GEOMET 10.9 T0228025 (u. 2)
4	<ul style="list-style-type: none"> ENGINE 48V 350WWP KIDS ONE ME010-20 (u. 1)
5	<ul style="list-style-type: none"> BOTON DOUBLE MAP WP. EE51125TT-CKK-2 (u. 1)
6	<ul style="list-style-type: none"> KEY IGNITION REF. 6553 EE60100TT-CKK-1 (u. 1)
7	<ul style="list-style-type: none"> KIDS CHARGER MY19 54.6V 2A. EXP.3 EE40025TT-CKK-3 (u. 1)
8	<ul style="list-style-type: none"> CONTROLLER 48V WP KIDS ONE EE40095TT-CND-2 (u. 1)
9	<ul style="list-style-type: none"> WASHER 8X20X1,5 ZINC T4008020 (u. 8)
11	<ul style="list-style-type: none"> ALLEN 4X10 DIN 912 ZINC 12.9 T0304010 (u. 2)
12	<ul style="list-style-type: none"> MODULE BLUETOOTH KIDS EE60080TT-CNC-2 (u. 1)
13	<ul style="list-style-type: none"> KIDS PRELOAD SET EE40100CT-CNC-1 (u. 1)
14	<ul style="list-style-type: none"> CABLE DISCHARGE BATTERY KIDS EE44045TT-CNC-1 (u. 1)
15	<ul style="list-style-type: none"> ULS 5x12 ISO 7380-2 10.9 NEGRO T0555012N (u. 4)
16	<ul style="list-style-type: none"> NUT TRT M5 GEOMET T810599990001 (u. 4)

17	<ul style="list-style-type: none"> LOCKING ADHESIVE TAPE TXT REPLICA 2014 BT51120GG-CBN-1 (u. 1)
18	<ul style="list-style-type: none"> BATTERY BOX KIDS SET 2019 EE41005CT-CNC-1 (u. 1)
19	<ul style="list-style-type: none"> CONICAL ALLEN BOLT, 3X10 DIN 7991 T0403010 (u. 2)
20	<ul style="list-style-type: none"> SELFLOCKING NUT M3 DIN 982 ZINC 8 T2103002 (u. 2)
21	<ul style="list-style-type: none"> SCREW 3,6 X 10 ZINC. T36040101910B (u. 4)
22	<ul style="list-style-type: none"> TAPE VELCRO FIJATION BATTERIES EE40270TT-CNC-1 (u. 1)
24	<ul style="list-style-type: none"> M3X6 ALLEN DIN 912 T0303006 (u. 4)
25	<ul style="list-style-type: none"> UNEX CLAMP 4.8X36 NYLON BE25634007 (u. 1)
26	<ul style="list-style-type: none"> BEARING 6203RSR C180000 (u. 1)
27	<ul style="list-style-type: none"> BEARING 6001 RZ C180001 (u. 1)
28	<ul style="list-style-type: none"> NILON CLAMP 4,8x20 BE25634009 (u. 1)

WHEELS SECTION



1 ● FRONT BLACK RIM 1,6X10 KIDS
BE54000CT-CKJ-1 (u. 1)

2 ● TUBE 2.50-10 KIDS
BE55200TT-CKJ-1 (u. 2)

3 ● TRIAL TIRE 2,5X10 KIDS
BT55100TT-CKG-1 (u. 2)

4 ● FRONT WHEEL SHAFT KIDS
BE53000TT-CNC-1 (u. 1)

5 ● FRONT WHEEL BUSHING KIDS
BE53100TT-CNC-1 (u. 1)

7 ● REAR BLACK RIM 1.6X10" KIDS10
BE59000CT-CKJ-1 (u. 1)

10 ● AXLE REAR WHEEL KIDS
BE58000TT-CKK-1 (u. 1)

11 ● REAR AXLE ECCENTRIC TENSIONER KID 12
BE44000TT-CKK-1 (u. 2)

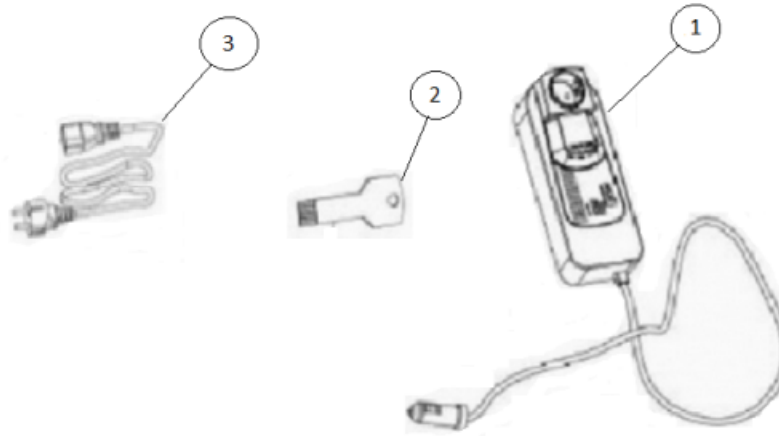
12 ● WHASER 12,10/12.25x22x3
T4012022 (u. 2)

13 ● NUT HEXAGONAL 12X1.25 DIN 934 ZINC 8
T21012125 (u. 2)

14 ● LEFT CAP REAR WHEEL KIDS
BE58110TT-CKK-1 (u. 1)

15 ● Frt Wheel Bearing 50cc
BIT50018070 (u. 4)

ACCESSORIES



1	<ul style="list-style-type: none"> ● CAR BATTERY CHARGER 12VDC / 220VAC ACTT-10120 (u. 1)
2	<ul style="list-style-type: none"> ● PENDRIVE USB 8GB KEY TORROT PUE0000011217 (u. 1)
3	<ul style="list-style-type: none"> ● AU CHARGER POWER CORD EM10266TT-CLR-1 (u. 1) ● UK CHARGER POWER CORD EM10265TT-CLR-1 (u. 1) ● EU CHARGER POWER CORD EM10267TT-CLR-1 (u. 1) ● US CHARGER POWER CORD EM10268TT-CLR-1 (u. 1)